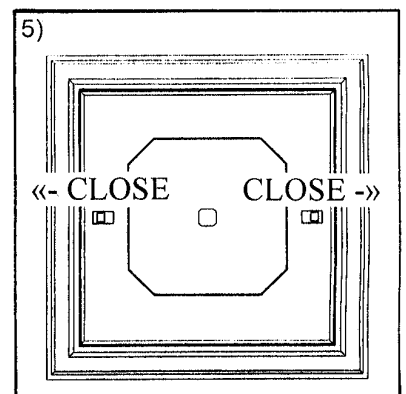
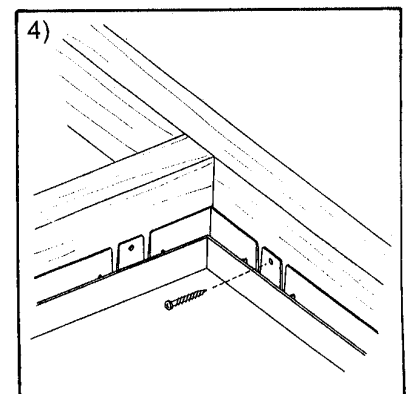
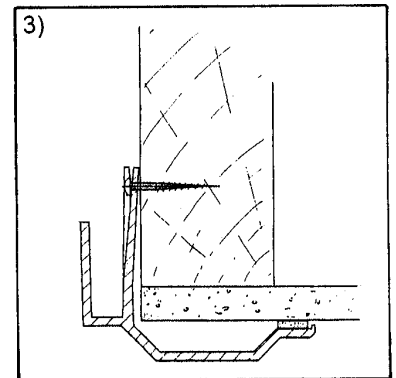
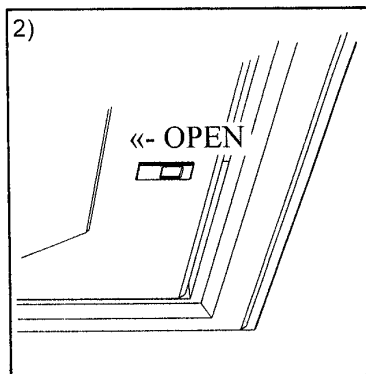
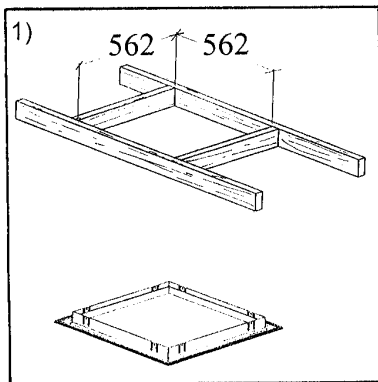
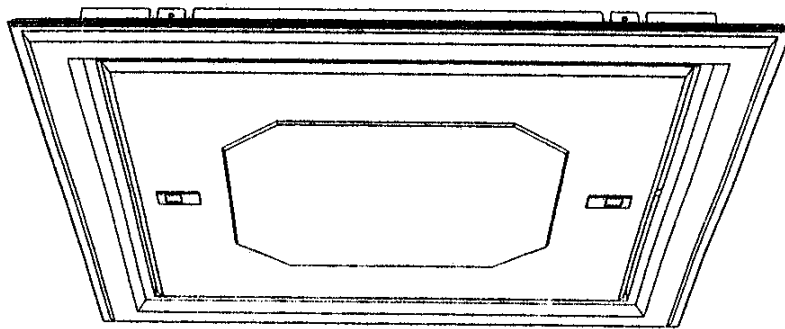


### Push Up Loft Access Door

CODE **GL260**



#### Fitting Instructions:

- 1) Trim out a suitable opening between trusses of 562mm x 562mm. The ceiling should preferably be fully finished and painted before installation of the unit.
- 2) Release both door catches and remove the door from the frame (the door can be stored in the box until the work is completed)
- 3) Locate the frame in the opening ensuring it sits squarely and the draft seal is fully compressed against the ceiling. NOTE: Suitable packing pieces may be required if the opening is oversize. To prevent distortion do not over tighten screws.
- 4) Securely screw the frame in position through the fixing bracket holes provided and bend the fixing clips if necessary towards the trusses before fixing. To prevent distortion do not over tighten screws.
- 5) Position door in the frame and push catches outwards to lock in position.

**Note: - THIS IS NOT A STRUCTURAL PRODUCT AND MUST NOT BE WALKED OR STEPPED ON.**

MANTHORPE BUILDING PRODUCTS LTD  
MANTHORPE HOUSE  
BRITAIN DRIVE  
CODNOR GATE BUSINESS PARK  
RIPLEY  
DERBYSHIRE DE5 3ND

TEL: 01773 303 000  
FAX: 01773 303 300  
EMAIL: [mbp.care@manthorpebp.co.uk](mailto:mbp.care@manthorpebp.co.uk)  
WEB: [www.manthorpebp.co.uk](http://www.manthorpebp.co.uk)

DRN M.L.W.O Date 20.06.19

The company maintains a policy of continuous development of its product range and reserves the right to amend the specification without notice.

DRG No

**MBP 8030**

Issue

**B**