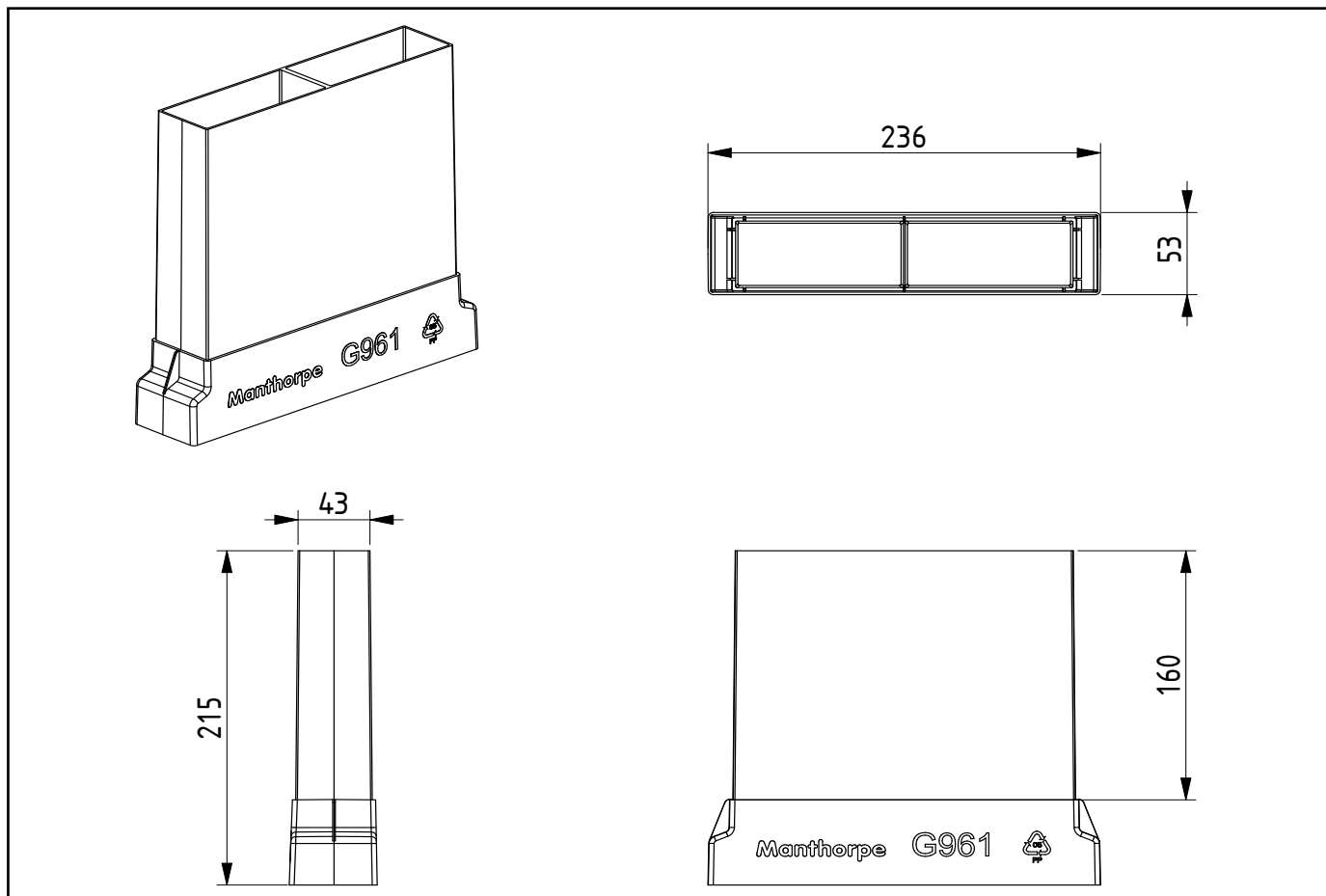


Telescopic Underfloor Void Ventilator - Extension Sleeve

Code: **G961**



Colour	Black
Packing Details	20 per box
Weight	0.18 kg per part. 4 kg per box.
Material	Polypropylene
Maunfacturing Process	Injection Moulded
Free Area	6,450 mm ² with G930 airbrick (7,000 mm ² G961 only)
Vertical Extension	150 mm (2 courses)
Horizontal Extension	185 mm

Description

The G961 Extension Sleeve is designed for use with the Manthorpe range of telescopic underfloor void ventilators.

Each sleeve allows for an additional 150mm of extension, this equates to an additional two course when used vertically. Alternatively, the sleeve can be pushed onto the base of the G960 or G965 telescopic ventilators to provide horizontal extension through larger cavities or wider internal blockwork.

MANTHORPE BUILDING PRODUCTS LTD
MANTHORPE HOUSE
BRITTAIN DRIVE
CODNOR GATE BUSINESS PARK
RIPLEY
DERBYSHIRE DE5 3ND

TEL: 01773 303 000
FAX: 01773 303 300
EMAIL:
mbp.care@manthorpebp.co.uk
WEB:
www.manthorpebp.co.uk

DRN
M.O. 01/08/03

ISSUE DRN
D.W. 21/04/22

The company maintains a policy of continuous development of its product range and reserves the right to amend the specification without notice.

DRG No

MBP 8059

Issue

3
1 of 1